



# INSTALLATION INSTRUCTIONS

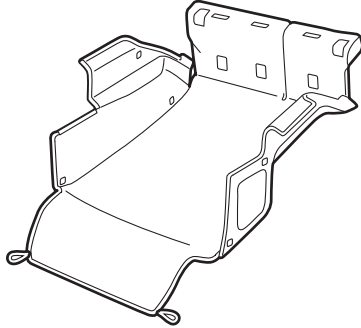
Accessory  
**CARGO LINER**  
P/N 08P42-SZA-100

Application  
**2009 PILOT**

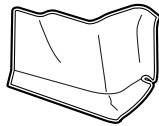
Publications No.  
**All 39301**  
Issue Date  
**MAY 2008**

## PARTS LIST

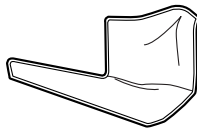
Cargo liner



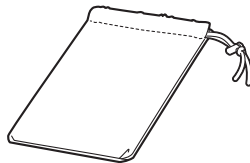
Power tailgate patch



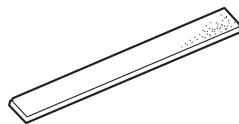
Non power tailgate patch



Bag



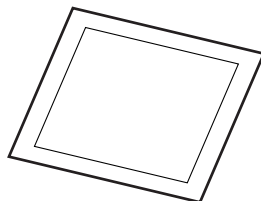
4 Long loop fastener pads



16 Short loop fastener pads



8 Alcohol swabs



## TOOLS AND SUPPLIES REQUIRED

Small flat-tip screwdriver

Rubber roller

## INSTALLATION

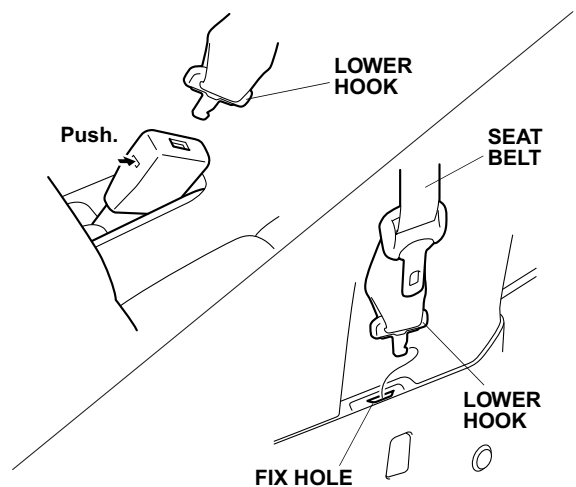
**Customer Information:** The information in this installation instruction is intended for use only by skilled technicians who have the proper tools, equipment, and training to correctly and safely add equipment to your vehicle. These procedures should not be attempted by "do-it-yourselfers."

### NOTE:

- This cargo liner cannot be installed with the interior bicycle attachment or seat cover or advance cargo net.
- This cargo liner should be installed only if the ambient air temperature is 15°C (60°F) or above. Warm up the surface of the vehicle body where the accessory will be attached to 15°C ~ 40°C when the temperature is low, especially in winter. Bonding performance of the double-sided adhesive tape could be reduced at low temperature.

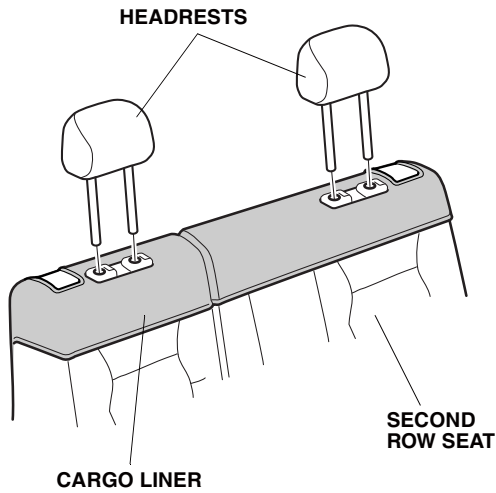
### Installing the Cargo Liner

1. Using a small flat-tip screwdriver, push and release the seat belt lower hook from each third row seat. Insert the seat belt lower hook to the fix hole.

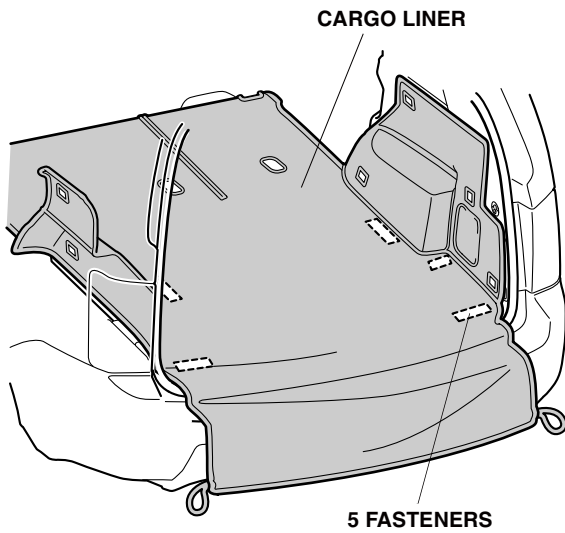


2. Fold down the third row seats.

- Remove the headrests from the second row seats by pushing the release buttons and lifting the headrests.

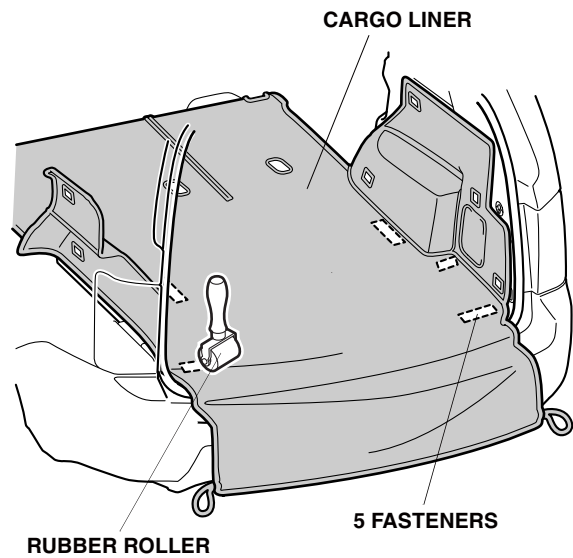


- Install the cargo liner over the second row seat, then reinstall the headrests.
- Fold down the second row seats.

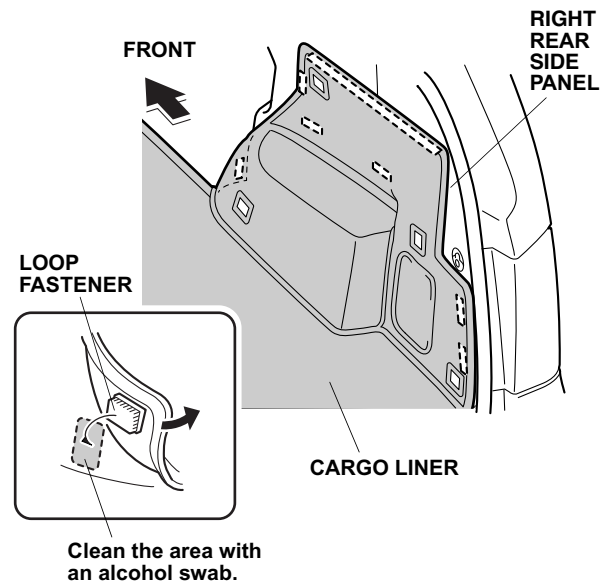


- Attach five fasteners on the cargo liner to the cargo floor as shown.

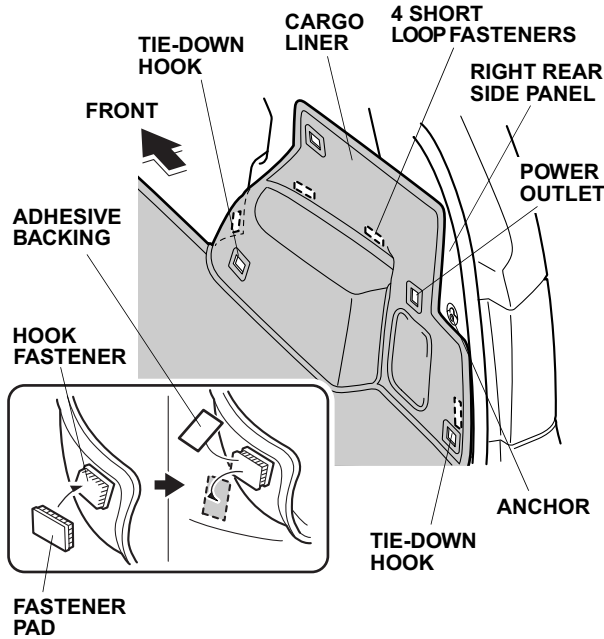
- Press the five hood fasteners firmly against the cargo floor with the rubber roller.



- Align the cargo liner to the right rear side panel, fold the cargo liner over and using the two alcohol swabs, thoroughly clean the area where the loop fasteners will attach.

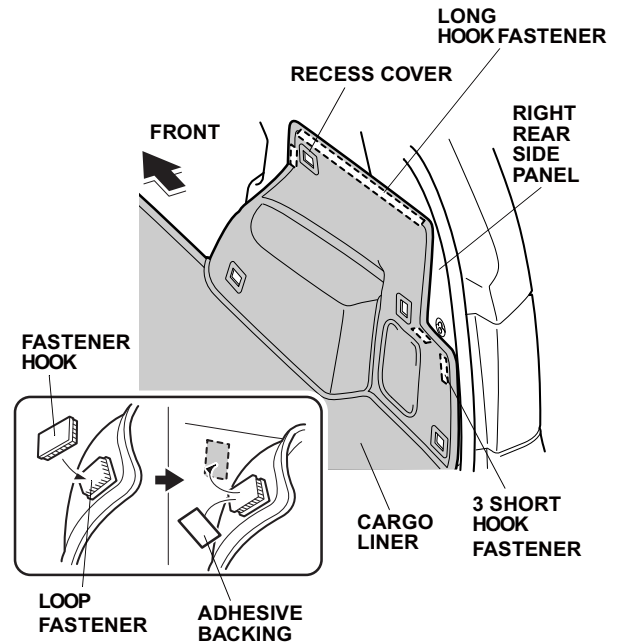


- Align the holes on the cargo liner to the two tie-down hooks, anchor and power outlet on the right rear side panel.



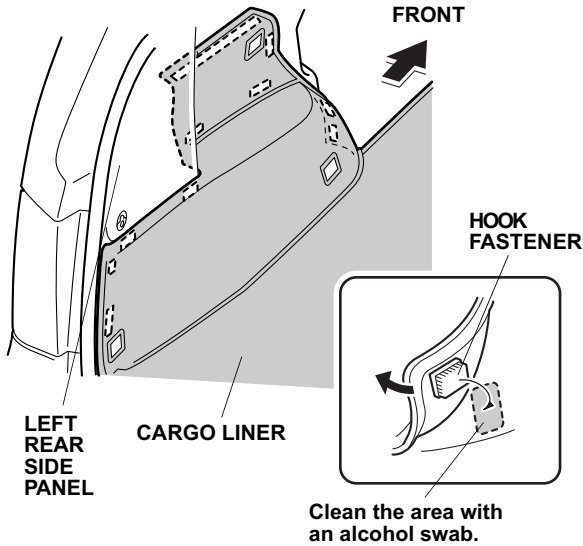
- Locate the four short hook fasteners on the cargo liner and attach four short loop fasteners pads to the cargo liner as shown.
- Remove the adhesive backing from four short loop fasteners, fold the cargo liner over, and attach the four short loop fasteners to the right rear side panel. Press the four short loop fasteners firmly against the side panel with the rubber roller.

- Align the holes on the cargo liner to the recess cover on the right rear side panel.

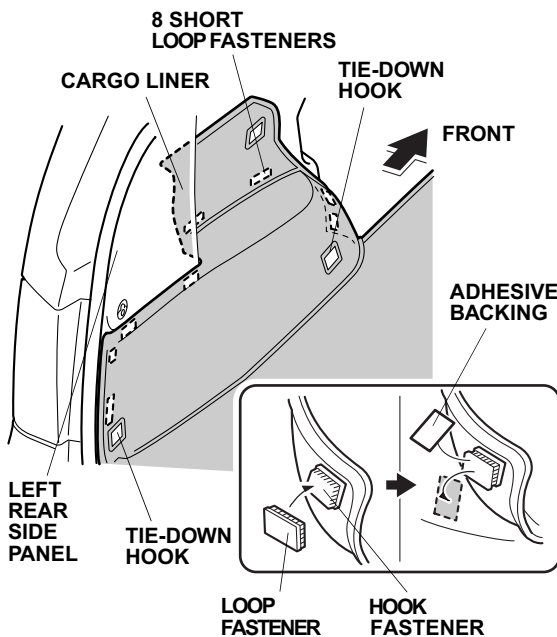


- Locate the one long hook fastener and three short hook fasteners on the cargo liner and attach one long loop fasteners and three short loop fasteners to the cargo liner as shown.
- Remove the adhesive backing from one long loop fastener and three short loop fasteners, fold the cargo liner over, and attach the one long loop fastener pad and three short loop fasteners to the right rear side panel. Press the one long fastener and two short loop fasteners firmly against the side panel with the rubber roller.

- Align the cargo liner to the left rear side panel, fold the cargo liner over and using the three alcohol swabs, thoroughly clean the area where the hook fasteners will attach.

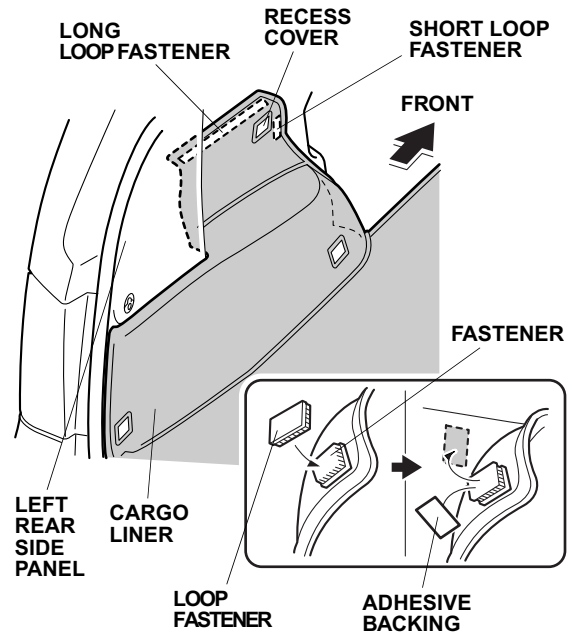


- Align the holes on the cargo liner to the two tie-down hooks on the left rear side panel.



- Locate the eight short hook fasteners on the cargo liner and attach eight short loop fasteners to the cargo liner as shown.
- Remove the adhesive backing from eight short fasteners, fold the cargo liner over, and attach the eight short loop fasteners to the left rear side panel. Press the eight short loop fasteners firmly against the side panel with the rubber roller.

- Align the holes on the cargo liner to the recess cover on the left rear side panel.

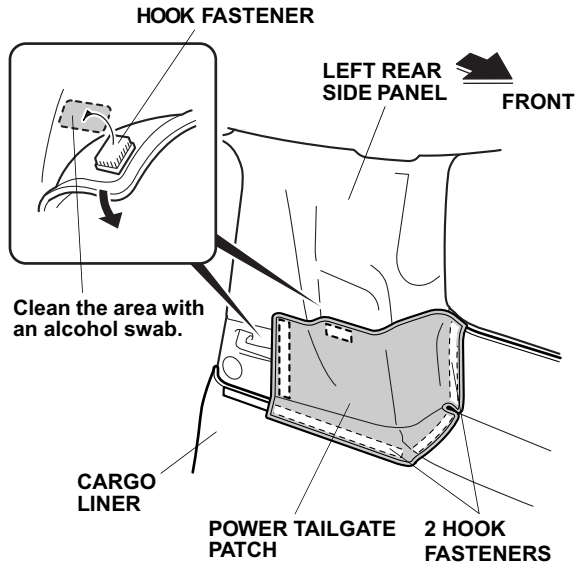


- Locate the one long hook fastener and one short hook fastener on the cargo liner and attach one long loop fastener and one short loop fastener to the cargo liner as shown.
- Remove the adhesive backing from one long loop fastener and one short loop fastener, fold the cargo liner over, and attach the one long loop fastener and one short loop fastener to the left rear side panel. Press the one long loop fastener and one short loop fastener firmly against the side panel with the rubber roller.

Power tailgate: Do step 22 through 25  
Non power tailgate: Do step 26 through 29

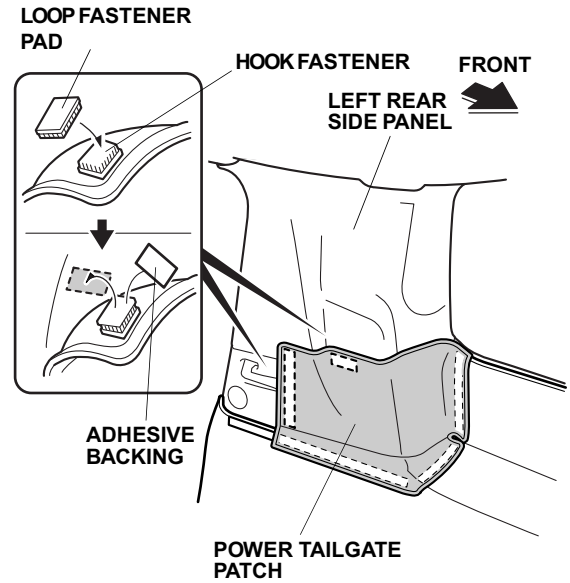
### Power tailgate

22. Secure the power tailgate patch to the cargo liner with two hook fasteners.



23. Align the power tailgate patch to the left rear side panel, fold the power tailgate patch over and using the alcohol swab, thoroughly clean the area where the fasteners will attach.

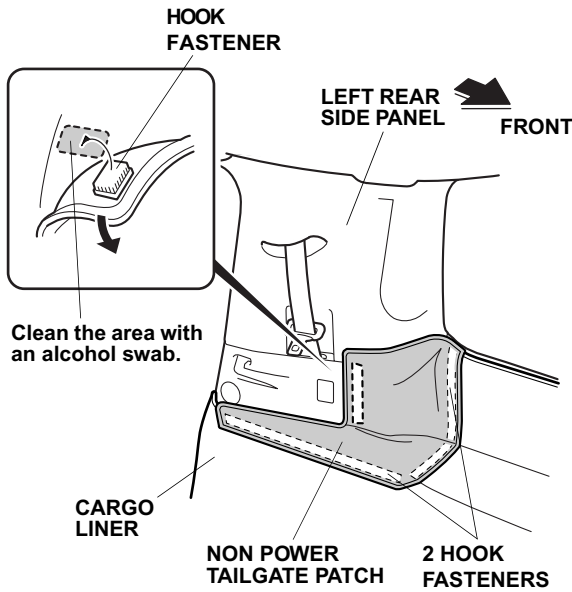
24. Locate the two hook fasteners on the power tailgate patch and attach two loop fasteners to the power tailgate patch as shown.



25. Remove the adhesive backing from two loop fasteners, fold the power tailgate patch over, and attach the two loop fasteners to the left rear side panel. Press the two loop fasteners firmly against the side panel with the rubber roller. Go to step 30.

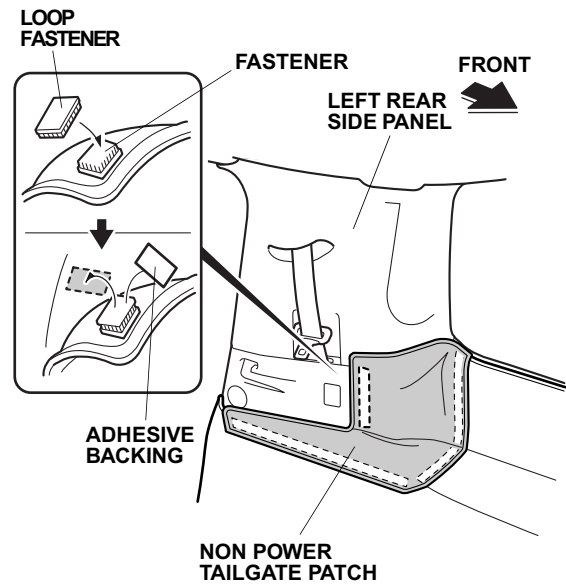
**Non power tailgate**

26. Secure the non power tailgate patch to the cargo liner with two hook fasteners.



27. Align the non power tailgate patch to the left rear side panel, fold the non power tailgate patch over and using the alcohol swab, thoroughly clean the area where the hook fasteners will attach.

28. Locate the one hook fastener on the non power tailgate patch and attach one loop fastener to the non power tailgate patch as shown.



29. Remove the adhesive backing from one loop fastener, fold the non power tailgate patch over, and attach the one loop fastener pad to the left rear side panel. Press the one fastener pad firmly against the side panel with the rubber roller.
30. Hook two loops on the cargo liner to two anchors.

