

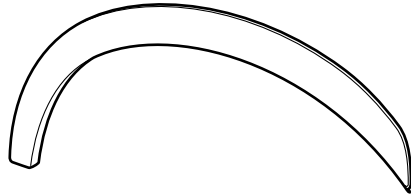


INSTALLATION INSTRUCTIONS

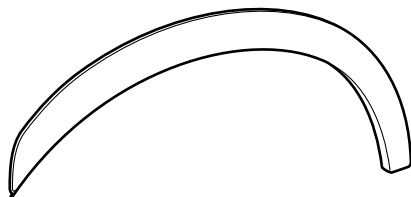
Accessory	Application	Publications No.
FENDERWELL TRIM (THICK)	2009 ODYSSEY	All 40259
P/N 08P21-SHJ-100A		Issue Date
		AUG 2008

PARTS LIST

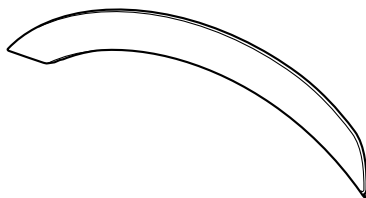
Right front fender trim



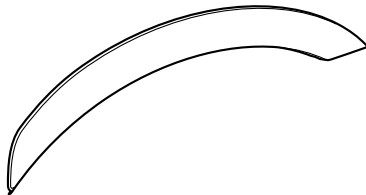
Left front fender trim



Right rear fender trim



Left rear fender trim



Right rear bumper trim



Left rear bumper trim



10 Alcohol swabs



TOOLS AND SUPPLIES REQUIRED

Shop towel

Needle-nose pliers

Masking tape

Hard rubber roller, T/N: MHLE54D (Available through the Honda Tool and Equipment Program at 888-424-6857, or online, go to iN: Service/Service Bay/ Tool and Equipment program/ Online Catalog.)

Utility knife

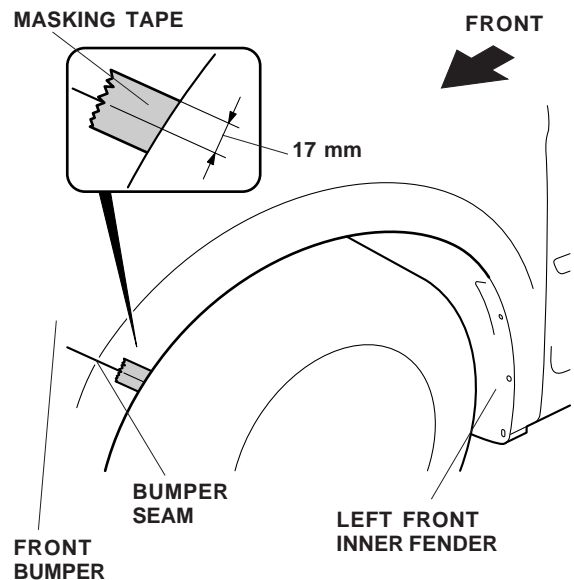
INSTALLATION

NOTE:

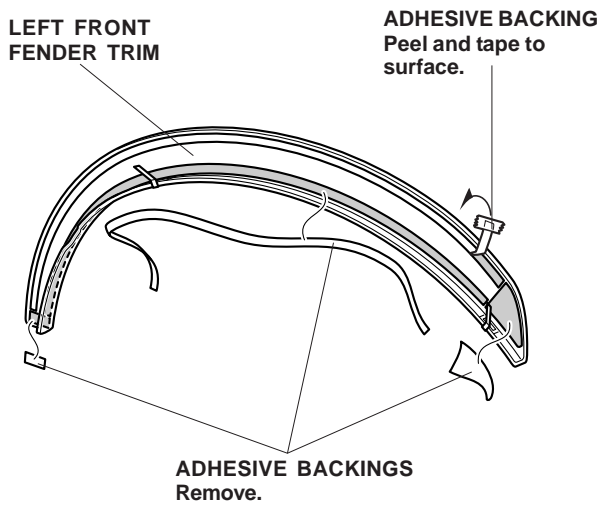
- These installation instructions show the left fender and bumper trim being installed; the same procedure applies to installing the right fender and bumper trims.
- Fenderwell trim cannot be installed on a vehicle equipped with a front nose mask.
- This fender kit should only be installed if the ambient air temperature is 60°F (15°C) or above.
- To allow the adhesive to cure, do not wash the car for 24 hours. Please advise the customer.

Installing the Front Fenderwell Trim

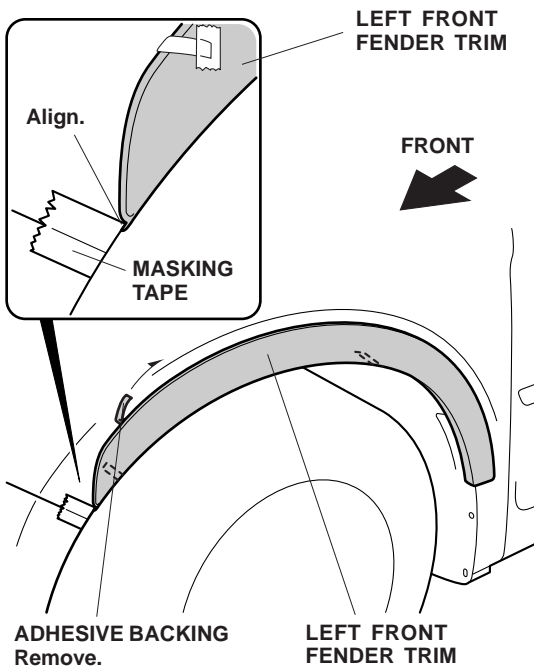
1. Measure 17 mm from the bumper seam and mark it with masking tape as shown.



2. Peel back the adhesive backing from the upper part of the left front fender trim and tape it to the surface. Remove the remaining adhesive backings from the left front fender trim.

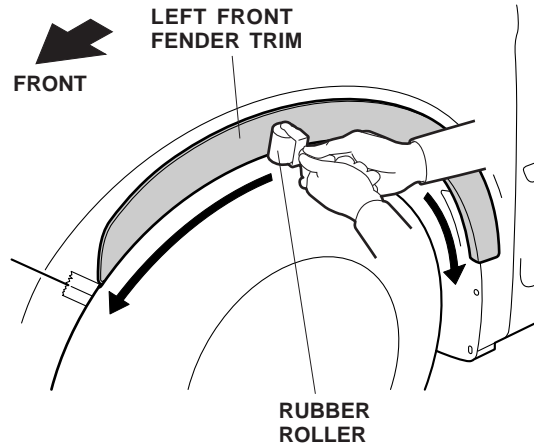


3. Using an alcohol swab, thoroughly clean the area where the left front fender trim will attach. Align the tip of the left front fender trim with the edge of the masking tape as shown.

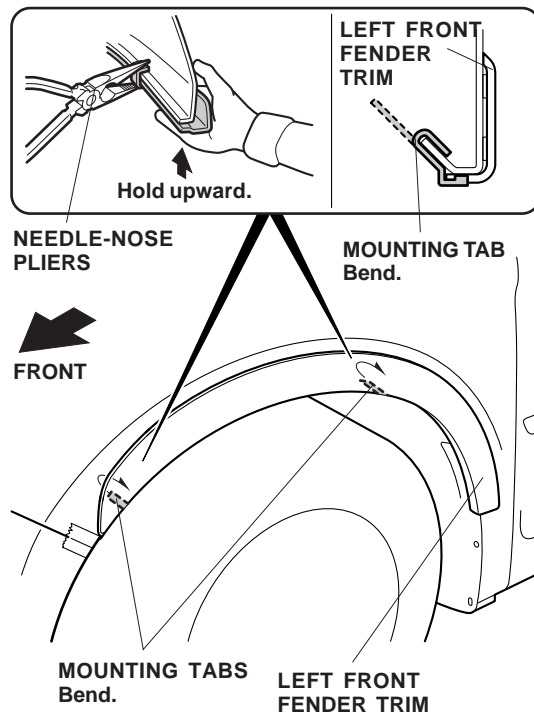


4. Attach the left front fender trim to the left front fender. While applying light pressure against the left front fender trim, carefully remove the taped adhesive backing.

5. Using a rubber roller, apply pressure against the fender trim and roll from one end to the other.



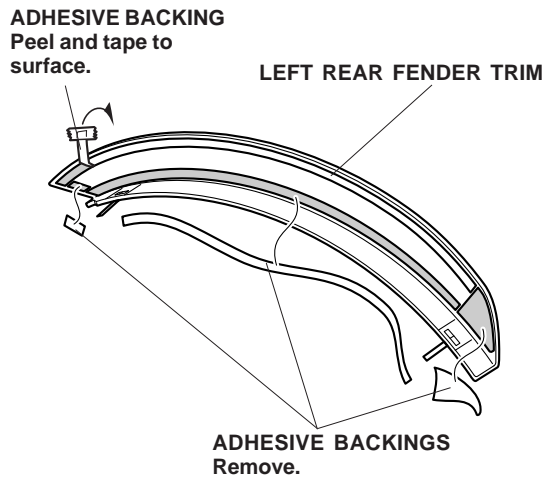
6. Hold the left front fender trim upward, and push the fender liner out of the way. Bend the two mounting tabs around the left front fender. Use needle-nose pliers wrapped in a shop towel to bend the mounting tabs around the fender flange.



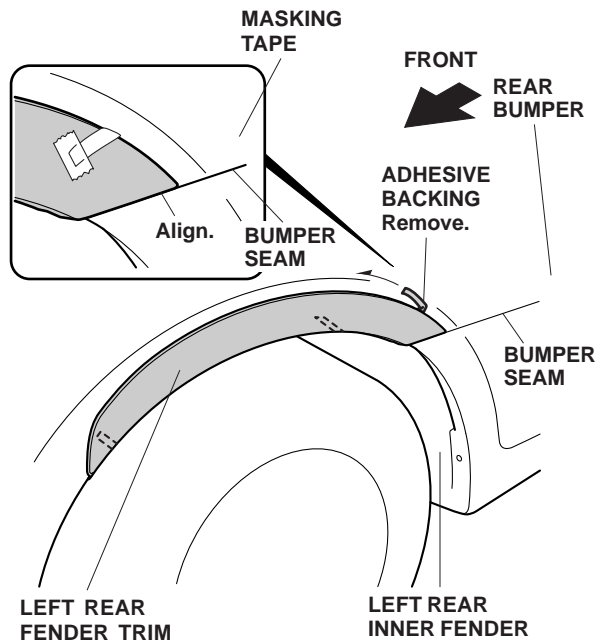
7. Remove the masking tape.

Installing the Rear Fender and Bumper Trim

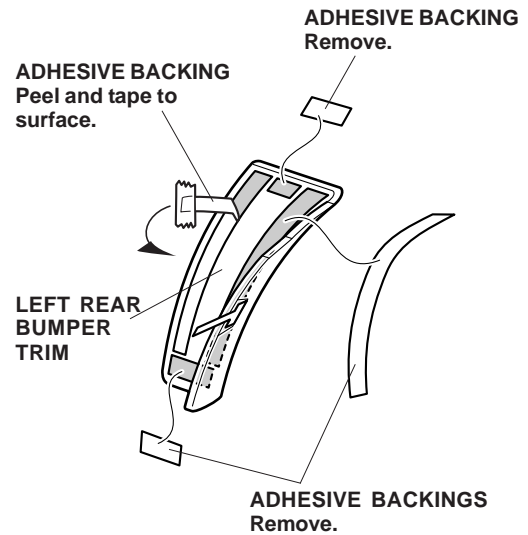
- Peel back the adhesive backing from the upper part of the left rear fender trim and tape it to the surface. Remove the remaining adhesive backings from the left rear fender trim.



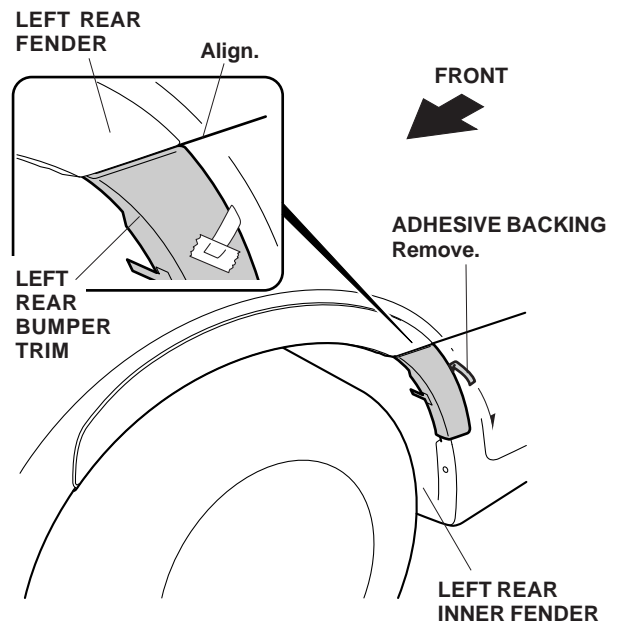
- Using an alcohol swab, thoroughly clean the area where the left rear fender trim will attach. Align the edge of the left rear fender trim with the bumper seam as shown. While applying light pressure against the rear fender trim, carefully remove the taped adhesive backing.



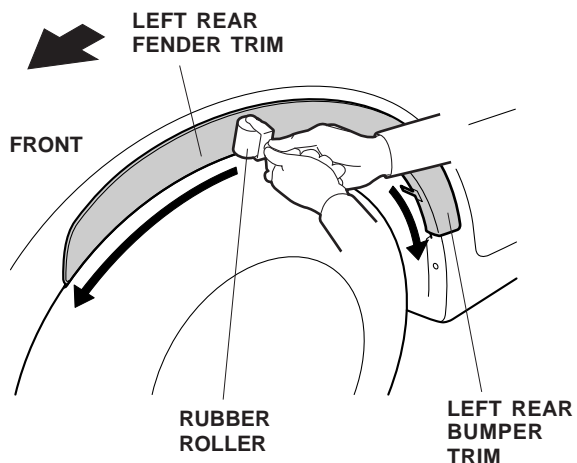
- Peel back the adhesive backing from the upper part of the left rear bumper trim and tape it to the surface. Remove the remaining adhesive backings from the left rear bumper trim.



- Using an alcohol swab, thoroughly clean the area where the left rear bumper trim will install. Align the edge of the left rear bumper trim with the edge of the left rear fender as shown. While applying light pressure against the left rear bumper trim, carefully remove the taped adhesive backing.



- Using a rubber roller, apply pressure against the fender trim and roll from one end to the other.



- Hold the left rear fender trim upward and bend the mounting tabs around the left rear fender. Use needle-nose pliers wrapped in a shop towel to bend the mounting tab around the fender flange. Repeat for the left rear bumper trim.

