



# INSTALLATION INSTRUCTIONS

Accessory

**SPORT MUFFLER**  
P/N 08F88-SNA-100

Application

**2009 CIVIC**  
4-DOOR Si

Publications No.

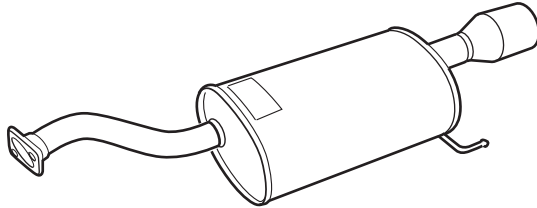
**All 40258**

Issue Date

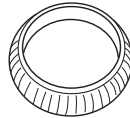
**SEP 2008**

## PARTS LIST

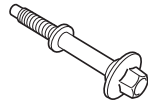
Muffler



Gasket



2 Self-tightening bolts



## TOOLS AND SUPPLIES REQUIRED

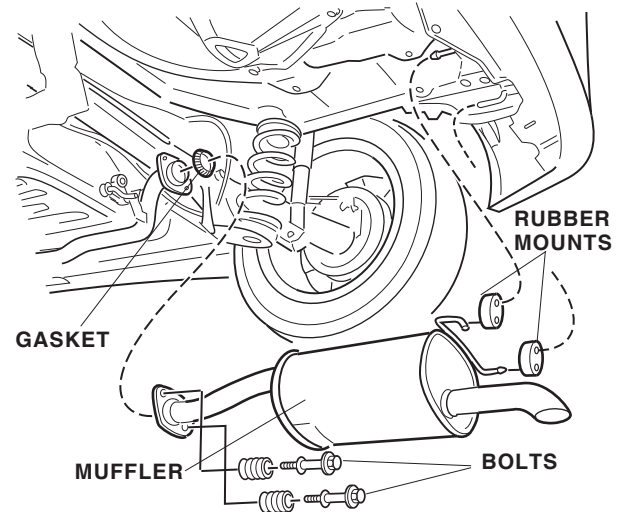
Ratchet

13 mm socket

**Customer information:** The information in this installation instruction is intended for use only by skilled technicians who have the proper tools, equipment, and training to correctly and safely add equipment to your vehicle. These procedures should not be attempted by "do-it-yourselfers."

## REMOVAL

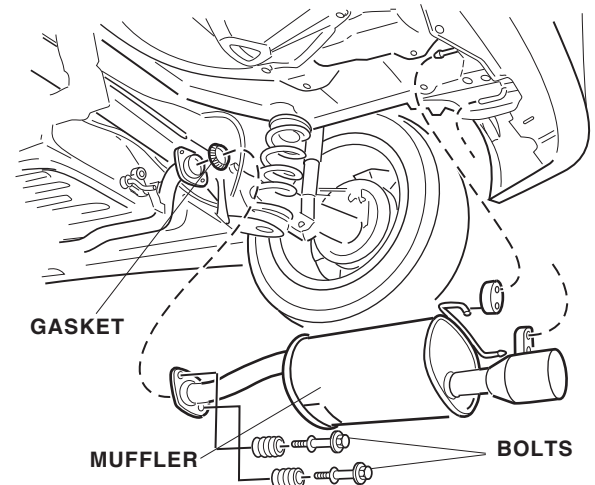
1. With the vehicle on a lift, remove the two 8 x 1.25 mm bolts with springs and the muffler from the rubber mounts, then remove the muffler.



2. Remove the old exhaust gasket, and replace it with the new exhaust gasket from the kit.

## INSTALLATION

3. Install the new muffler using the two new 8 x 1.25 mm bolts and the springs removed from step 2. Reinstall the muffler to the rubber muffler mounts.



4. Torque the bolts to 22 N·m (16 lb-ft), alternating from side to side.