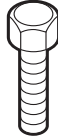


PARTS LIST

Cargo hook



Bolt



Small washer



Spring washer

Rivet nut
(Not used)

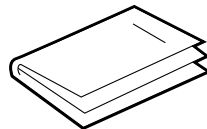
Nut



Large washer



Accessory User's Information Manual

**TOOLS REQUIRED**

Drill

10 mm Drill bit

10 mm Socket

Ratchet

Extension bar

Torque wrench

Eye protection (face shield, safety goggles, etc.)

Touchup paint

Drillstop

File

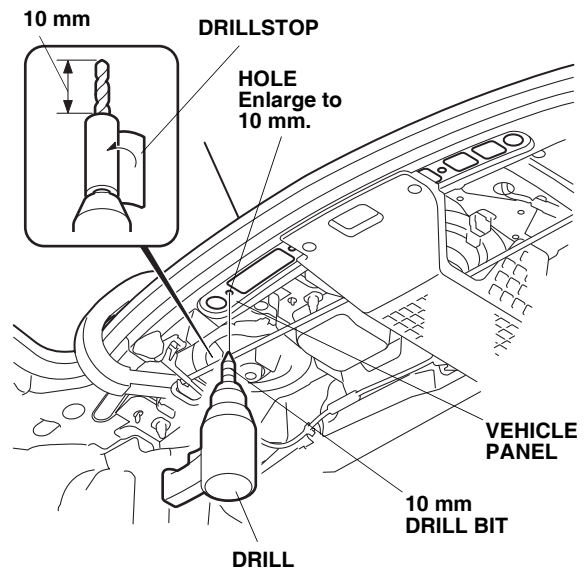
INSTALLATION

NOTE: An additional cargo hook (sold separately) can be installed on vehicles without a CD changer or bass speaker system.

4-door vehicles: Go to step 5.

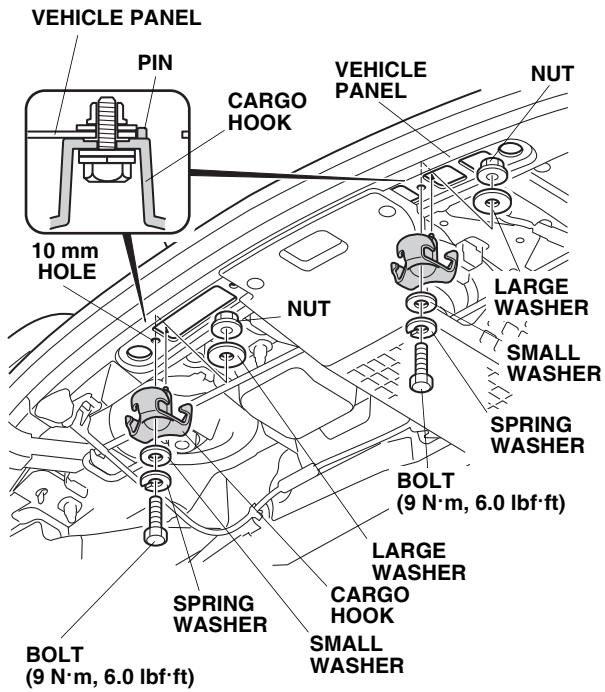
2-Door vehicles

1. Open the trunk lid. Wearing eye protection, drill the vehicle panel to enlarge the existing hole as shown.
 - Wrap the drillstop around the drill bit at 10 mm from the tip of the bit.



2. Remove any burrs from the edge of the drilled hole.
3. Apply touchup paint to the edge of the hole, then let the paint dry thoroughly.

- Install the cargo hook as shown. Torque the bolt to 9 N·m (0.9 kgf·m, 6.0 lbf·ft).
With CD changer and/or bass speaker system:
Install the cargo hook on the left side only.



4-Door vehicles

- Open the trunk lid. Install the cargo hook as shown. Torque the bolt to 9 N·m (6.0 lbf·ft).
 - With CD changer: Install the cargo hook on the left side only.
 - With bass speaker system: Install the cargo hook on the right side only.

